

Part Number: PT908-42195-02
PT908-42196-02

Kit Contents

Item #	Quantity Reqd.	Description
1	1	Cargo Tray
2	1	Seat Back Protector

Vehicle Service Parts (may be required for reassembly)

Item #	Quantity Reqd.	Description
1		
2		
3		

Hardware Bag Contents

Item #	Quantity Reqd.	Description
1		
2		

Additional Items Required For Installation

Item #	Quantity Reqd.	Description
1		
2		
3		

Conflicts

None

Recommended Tools

Personal & Vehicle Protection	Notes
Cover or Blanket	
Special Tools	Notes
Installation Tools	Notes
Special Chemicals	Notes

General Applicability







MY19 and newer RAV4 vehicles: (PT908-42195-02): Vehicles without subwoofer (PT908-42196-02): Vehicles with subwoofer
--

Recommended Sequence of Application

Item #	Accessory
1	Cargo Tray/Seat Back Protector
2	Cargo Net

*Mandatory

Legend

	STOP: Damage to the vehicle may occur. Do not proceed until process has been complied with.
	OPERATOR SAFETY: Use caution to avoid risk of injury.
	CAUTION: A process that must be carefully observed in order to reduce the risk of damage to the accessory/vehicle and to ensure a quality installation.
	TOOLS & EQUIPMENT: Used in Figures calls out the specific tools and equipment recommended for this process.
	REVISION MARK: This mark highlights a change in installation with respect to previous issue.
	SAFETY TORQUE: This mark indicates that torque is related to safety.

Procedure

Care must be taken when installing this accessory to ensure damage does not occur to the vehicle. The installation of this accessory should follow approved guidelines to ensure a quality installation.

These guidelines can be found in the "Accessory Installation Practices" document.

This document covers such items as:-

- Vehicle Protection (use of covers and blankets, cleaning chemicals, etc.).
- Safety (eye protection, rechecking torque procedure, etc.).
- Vehicle Disassembly/Reassembly (panel removal, part storage, etc.).
- Electrical Component Disassembly/Reassembly (battery disconnection, connector removal, etc.).

Please see your Toyota dealer for a copy of this document.

1. Prepare for Installation


- Open the package and check components for damage and kit contents.
- Open the rear cargo door and remove any stored items and debris from cargo area.
- Place the vehicle protection over the rear bumper.
- Open both the rear driver and rear passenger doors and lower seatbacks down.
- Before installing, remove a total of seven (7) adapter pads from the back of the seat back protector. These can be identified by the white cloth cover. Remove entirely, not just the cover and discard (Fig. 1-1).



Fig. 1-1

2. Install the Seat Back Protector

- (a) Gently lay the seat back protectors in the approximate install position on the vehicle seat backs.

 **NOTE:** Do not press down at this time.

- (b) Use the seat latch cover opening to perform initial alignment of the seat back protectors (Fig. 2-1).

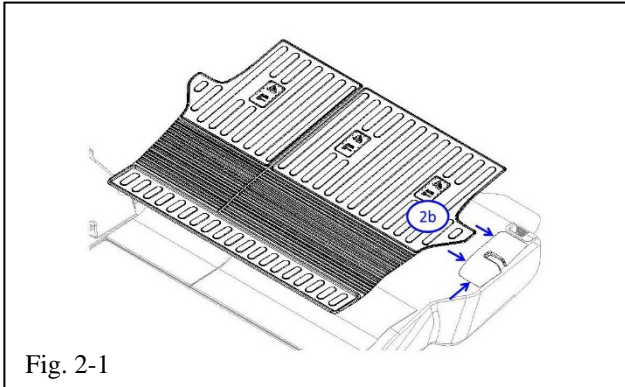


Fig. 2-1

- (c) Leave a small gap between the tray and plastic cover of approximately 2.5 to 3 mm (Fig. 2-2).

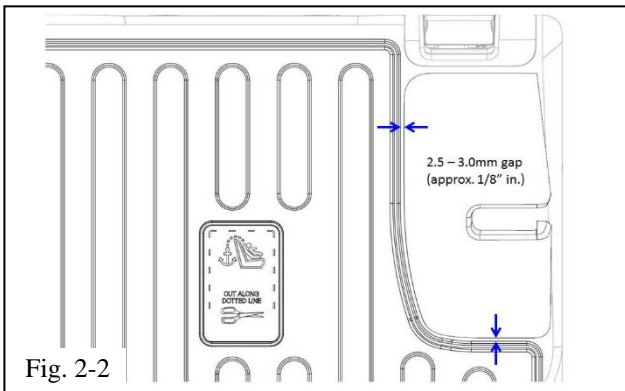


Fig. 2-2

- (d) Complete final alignment by checking for equal spacing along the front and inboard seat edge (Fig. 2-3).

 **NOTE:** Adjust if needed.

- (e) Repeat Steps 2(b) through 2(d) on the driver side.

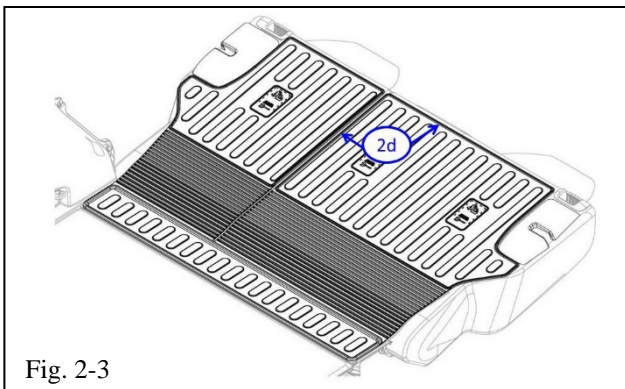
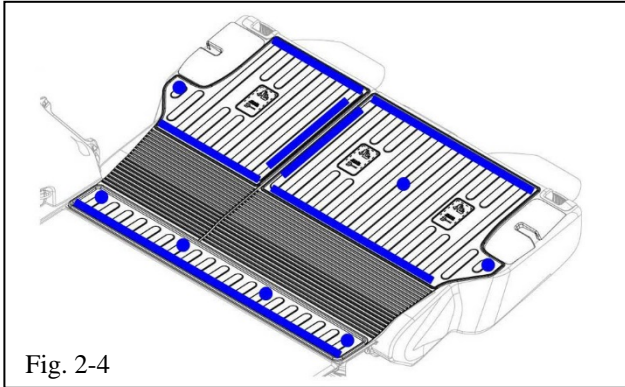
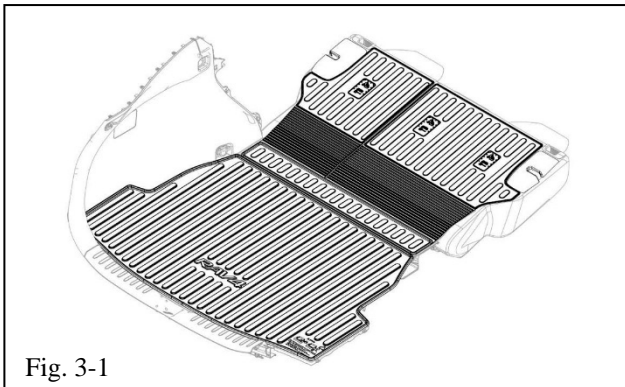


Fig. 2-3



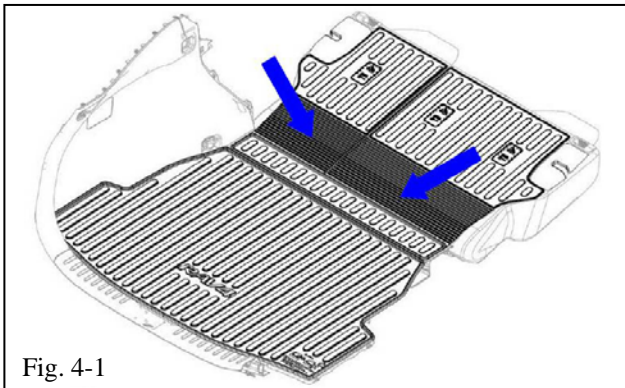
- (f) Firmly push down on the seat back protectors in all of the area identified with blue lines or circles (Fig. 2.4).

3. Install the Cargo Tray



- (a) Place the cargo tray in the cargo area with logo towards the rear of the vehicle and facing up (Fig. 3-1).
- (b) After installing the tray, ensure all of the edges are pushed down against the floor.

4. Operation and Use



- (a) When raising the 2nd row seats back into their up position, observe the “hinge” area to ensure it is folding downward into the pocket area (Fig. 4-1).

⚠ NOTE: If needed, push it downward as you begin to raise the seat. Over time, this action should happen without assistance.

Check:	Look For:
<p><u>Accessory Function Checks</u></p> <p><input type="checkbox"/> Correct part number has been installed</p>	<p>Verify part number on package.</p>
<p><u>Vehicle Function Checks</u></p> <p><input type="checkbox"/> 2nd row seat folding function</p> <p><input type="checkbox"/></p> <p><input type="checkbox"/></p>	<p>Raise and lower 2nd row seat backs to ensure the seat back protector does not hinder the movement of the seat backs from the down to up position.</p>
<p><u>Vehicle Appearance Check</u></p> <p><input type="checkbox"/> After accessory installation and removal of protective cover(s), perform a visual inspection.</p>	<p>Ensure no damage (including scuffs and scratches) was caused during the installation process.</p> <p>(For PPO installations, refer to TMS Accessory Quality Shipping Standard.)</p>